



VARI\***LITE**

# VL800 EVENTPAR RGBA

USER MANUAL

# PREFACE

---

## 1. ABOUT THIS MANUAL

The document provides installation and operation instructions for the following products:

- VL800 EVENTPAR RGBA

Read all instructions before installing or using this product. Retain this manual for future reference.

Additional product information and descriptions may be found on the product specification sheet.

## 2. INCLUDED ITEMS

Each VL800 EVENTPAR luminaire includes the following items:

- VL800 EVENTPAR RGBA
- Quick Start Guide

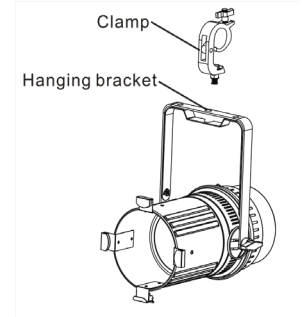
## 3. SAFETY NOTICES

- Unpack and check carefully for damage from shipping before using the unit.
- Do install and operate by operator.
- Use safety tether when mounting.
- Install only in locations with adequate ventilation of at least 50cm clearance from adjacent surfaces.
- Ensure sure that ventilation slots are not blocked to prevent overheating.
- Before operating, ensure that the voltage and frequency of power supply match the power requirements of the unit.
- It's important to ground the yellow/green conductor to earth in order to avoid electric shock.
- Maximum ambient temperature  $T_A$  : 40°C minimum ambient temperature  $T_A$  : 0°C. Don't operate it where the temperature is higher than this.
- Do not connect the device to any dimmer pack.
- First run, there will be smoke or smells, and all disappearing a few minutes later.
- Make sure there are no flammable materials close to the unit while operating, as it is fire hazard.
- Look over power wires carefully, replace immediately if there is any damage.
- When in use, fixture surface temperature may reach up to 65°C. DO NOT touch the housing.
- Never run on for a long time lest shortening lifespan.
- Do not operate in dirty and dusty environment, also cleaning fixtures regularly.
- Do not allow children to operate the fixture.
- Do not touch any wire during operation as there might be a hazard of electric shock.
- Avoid power wires together around other cables.
- In the event of serious operating problem, stop using the unit immediately.
- Never turn on and off the unit time after time.
- The housing, the lenses, or the ultraviolet filter must be replaced if they are visibly damaged.
- Do not open the unit as there are no user serviceable parts inside. Never try to repair the unit by yourself. Repairs carried out by unskilled people can lead to damage or malfunction. Please contact the nearest Authorized Service Center.
- Disconnect the mains power if the fixture is not used for a long time.
- Do use original packing materials once transport it again.
- To prevent or reduce the risk of electrical shock or fire, do not expose the unit to rain or moisture.
- Do not look directly at the LED light beam while the fixture is on.
- To protect the machine, power off 10s rear can electrify.

# INSTALLATION AND SETUP

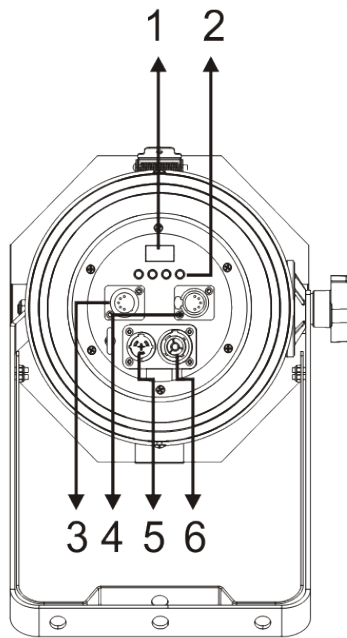
## 1. MOUNTING

The unit should be mounted via its screw holes on the bracket. Always ensure that the unit is firmly fixed to avoid vibration and slipping while operating. Always ensure that the structure to which you are attaching the unit is secure and is able to support a weight of 10 times of the unit's weight. Always use a safety cable that can hold up to 12 times the weight of the unit when installing the fixture. The luminaire must be mounted by professionals.



## 2. SET UP

### CONTROL PANEL



- ① LCD display - shows the menu and selected functions
- ② Buttons:  
MENU - To select the programming functions  
DOWN - To go backward in the selected functions  
UP - To go forward in the selected functions  
ENTER - To confirm the selected functions
- ③ DMX IN - 5-pin XLR cable to link DMX console
- ④ DMX OUT - 5-pin XLR cable to link to the next unit
- ⑤ Power In - connects to power supply
- ⑥ Power Out - connects to next fixture

### MAIN FUNCTIONS

To select any functions, press the MENU button until the required one is shown on the display. Select the function by the ENTER button and the display will blink. Use the DOWN and UP button to change the mode. Once the required mode has been selected, press the ENTER button to setup or it will automatically return to the main functions without any change after idling one minute. Back to the functions without any change press the MENU button. The main functions are shown in [TABLE 1](#).

TABLE 1. MENU FUNCTIONS						
LEVEL 1	LEVEL 2	LEVEL 3	LEVEL 4	LEVEL 5	LEVEL 6	DEFAULT
Address	000-512					(Default 001)
Configure	LED	LED Hours	XXXXXX h			
		Dimming Curve	Square Law Curve			(Default)
			S Law Curve			
			Linear Law Curve			
		Output / Fan Mode	Standard			(Default)
			Studio			
			Whisper			
		Dimming Speed	Fast			
			Slow			(Default)
		White Balance	Red			
			Green			
			Blue			
			Amber			
			Reset to default			
		Frequency	900Hz			
	910Hz					
	920Hz					
	930Hz					
	940Hz					
	950Hz					
	960Hz					
	980Hz					
	990Hz					
	1000Hz					
	1500Hz			(Default)		
	2500Hz					
	4000Hz					
	Display	Orientation	Up			(Default)
			Down			
		On time	30 sec			(Default)
			5 min			
			10 min			
	On					
Reset Defaults	Are you sure?					
DMX	Data	Ch 1 - Intensity XXX (Value)				
		Ch 2 - Intensity Fine XXX (Value)				
		...All functions				
	DMX Mode	16-bit			(Default)	
		8-bit				
		Color 8-bit				
	No Data	Last output hold				
		Black out			(Default)	

TABLE 1. MENU FUNCTIONS						
LEVEL 1	LEVEL 2	LEVEL 3	LEVEL 4	LEVEL 5	LEVEL 6	DEFAULT
Fixture	Status	(No Errors... or displays a list of errors)				
	Reboot Fixture	Are you sure?				
	Version	VXXX		MM/DD/YY	HH:MM	
	Fixture Hours	XXXXXX h				
	Crossload (software)	Send				
	Service	Fan Check				
LED Temp						
Manual Control	Intensity	Value 0 - 255			(Default 0)	
	Intensity fine	Value 0 - 255			(Default 0)	
	...All functions	All functions			(Default 0)	
Test	All Test	(Run 'ALL TEST' )				

**Address**

Address — DMX address setting. To select DMX Address, press the ENTER button to confirm. Use the UP/DOWN button to adjust the address from 001 to 512, press the ENTER button to store. Press the MENU button back to the last menu or let the unit idle one minute to exit menu mode.

**Configure**

To select Configure, press the ENTER button to confirm, use the UP/DOWN button to select LED, Display or Reset Defaults.

**LED**

To select LED, press the ENTER button to confirm. Use the UP/DOWN button to select LED

**Hours, Dimming Curve, Output / Fan Mode or Frequency**

Press the ENTER button to store. Press the MENU button back to the last menu or let the unit idle one minute to exit menu mode.

**LED Hours** — Select LED Hours, press the ENTER button to confirm, LED Hours will show on the display, press the MENU button back to exit.

**Dimming Curve** — To select Dimming Curve, press the ENTER button to confirm. Use the UP/DOWN button to select Square Law Curve, S Law Curve or Linear Law Curve, press the ENTER button to store. Press the MENU button back to the last menu or let the unit idle one minute to exit menu mode.

**Output / Fan Mode** — To select Output / Fan Mode, press the ENTER button to confirm. Use the UP/DOWN button to select Standard, Studio, Whisper or Silent, press the ENTER button to store. Press the MENU button back to the last menu or let the unit idle one minute to exit menu mode.

**Dimming Speed** — To select Dimming Speed, press the ENTER button to confirm. Use the UP/DOWN button to select Fast or Slow, press the ENTER button to store. Press the MENU button back to the last menu or let the unit idle one minute to exit menu mode.

**White Balance** — To select White Balance, press the ENTER button to confirm. Use the UP/DOWN button to select Red, Green, Blue or Reset to default, press the ENTER button to store. Press the MENU button back to the last menu or let the unit idle one minute to exit menu mode.

**Frequency** — To select Frequency, press the ENTER button to confirm. Use the UP/DOWN button to select 900Hz, 910Hz, 920Hz, 930Hz, 940Hz , 950Hz, 960Hz, 970Hz ,980Hz , 990Hz, 1000Hz ,1500Hz, 2500Hz, 4000Hz press the ENTER button to store. Press the MENU button back to the last menu or let the unit idle one minute to exit menu mode.

**Display** — Select Display, press the ENTER button to confirm, On Time will show on the display, press the ENTER button to store. Use the UP/DOWN button to select 30 Sec, 5 Min10 Min or On, press the ENTER button to store. Press the MENU button back to the last menu or let the unit idle one minute to exit menu mode.

**Reset Defaults** — Select Reset Defaults, press the ENTER button to confirm, Are you sure? will show on the display, press the ENTER button to store. Press the MENU button back to the last menu or let the unit idle one minute to exit menu mode.

## DMX

To select DMX, press the ENTER button to confirm, use the UP/DOWN button to select Data or DMX Mode.

**Data** — To select Data, press the ENTER button to confirm. Use the UP/DOWN button to select Ch 1 - Intensity, Ch 2 - Intensity Fine .... All functions, press the ENTER button to store. Press the MENU button back to the last menu or let the unit idle one minute to exit menu mode.

**DMX Mode** — To select DMX Mode, press the ENTER button to confirm. Use the UP/DOWN button to select 16-bit, 8-bit or Color Mode, press the ENTER button to store. Press the MENU button back to the last menu or let the unit idle one minute to exit menu mode.

**No Data** — To select No Data, press the ENTER button to confirm. Use the UP/DOWN button to select Last output hold or Black out, press the ENTER button to store. Press the MENU button back to the last menu or let the unit idle one minute to exit menu mode.

## Fixture

To select Fixture, press the ENTER button to confirm, use the UP/DOWN button to select Status , Reboot Fixture, Fixture Hours , Crossload (Software) , Service or DMX Mode.

### Status

Select Status, press the ENTER button to confirm, Status will show on the display, press the MENU button back to exit.

### Reboot Fixture

Select Reboot Fixture, press the ENTER button to confirm, Are you sure? will show on the display, press the ENTER button to store. Press the MENU button back to the last menu or let the unit idle one minute to exit menu mode.

### Version

Select Version, press the ENTER button to confirm, Version will show on the display, press the MENU button back to exit.

### Fixture Hours

Select Fixture Hours, press the ENTER button to confirm, Fixture Hours will show on the display, press the MENU button back to exit.

### Crossload (Software)

Select Crossload (Software), press the ENTER button to confirm, Send will show on the display, press the ENTER button to store. Press the MENU button back to the last menu or let the unit idle one minute to exit menu mode.

---

**NOTE:** Incoming DMX must be removed from the fixture or software crossload will not be activated

---

### Service

To select Service, press the ENTER button to confirm. Use the UP/DOWN button to select Service Settings or Diagnostics, press the ENTER button to store. Press the MENU button back to the last menu or let the unit idle one minute to exit menu mode.

### Optics Offset

Select Optics Offset, press the ENTER button to confirm, Zoom will show on the display, press the ENTER button to store. Press the MENU button back to the last menu or let the unit idle one minute to exit menu mode.

### Diagnostics

To select Diagnostics, press the ENTER button to confirm. Use the UP/DOWN button to select Fan Check, Board Check ,Sensor Check or Led Temp, press the ENTER button to store. Press the MENU button back to the last menu or let the unit idle one minute to exit menu mode.

**Manual Control**

Enter menu mode, select Manual Control, press the ENTER button to confirm, use the UP/DOWN button to select Intensity, Intensity fine...All functions. Use the UP/DOWN button to adjust the value from 0 to 255, press the ENTER button to store. Press the MENU button back to the last menu or let the unit idle one minute to exit menu mode.

**Test**

Enter menu mode, select Test, press the ENTER button to confirm, use the UP/DOWN button to select All Test or Test Channel.

**All Test**

Select All Test, press the ENTER button to confirm, the unit will run all test. Press the MENU button back to the last menu or exit menu mode after auto test.

**Test Channel**

To select Test Channel, press the ENTER button to confirm, the present channel will show on the display, use the UP/DOWN button to select channel Intensity ...All fuctions, press the ENTER button to confirm, then use the UP/DOWN button to adjust the value, press the ENTER button to store, the fixture will run as the channel value indicates. Press the MENU button back to the last menu or exit menu mode idling one minute.

# HOW TO CONTROL THE FIXTURE

---

The fixture can be operated by DMX controller.

## DMX512 CONFIGURATION

**TABLE 2. 16-BIT CHANNEL MODE**

CHANNEL	FUNCTION	VALUE	DESCRIPTION
1	Intensity high	0-65535	16-bit control of dimming
2	Intensity low		
3	Red high	0-65535	16-bit control of color
4	Red low		
5	Green high	0-65535	16-bit control of color
6	Green low		
7	Blue high	0-65535	16-bit control of color
8	Blue low		
9	Amber high	0-65535	16-bit control of color
10	Amber low		

**TABLE 2. 16-BIT CHANNEL MODE**

CHANNEL	FUNCTION	VALUE	DESCRIPTION
11	Color preset	000-068	Channel OFF
		069-070	CF_0_Color OFF
		071-072	CF_1_White 10000K
		073-074	CF_2_White 8000K
		075-076	CF_3_White 6500K
		077-078	CF_4_White 5600K
		079-080	CF_5_White 5000K
		081-082	CF_6_White 4500K
		083-084	CF_7_White 4000K
		085-086	CF_8_White 3200
		087-088	CF_9_White 3000K
		089-090	CF_10_White 2700K
		091-092	CF_11_Moroccan Pink
		093-094	CF_12_Pink
		095-096	CF_13_Flesh Pink
		097-098	CF_14_Bright Rose
		099-100	CF_15_Follies Pink
		101-102	CF_16_Fuchsia Pink
		103-104	CF_17_Surprise Pink
		105-106	CF_18_Congo Blue
		107-108	CF_19_Blue
		109-110	CF_20_Virgin Blue
		111-112	CF_21_Midnight Maya
		113-114	CF_22_Dluble C.T Blue
		115-116	CF_23_Slate Blue
		117-118	CF_24_Regal Blue
		119-120	CF_25_Fullt C.T Blue
		121-122	CF_26_Steel Blue
		123-124	CF_27_Lighter Blue
		125-126	CF_28_Cyan
		127-128	CF_29_Marine Blue
		129-130	CF_30_Soft Green
		131-132	CF_31_Moss Green
133-134	CF_32_Green		
135-136	CF_33_Fem Green		
137-138	CF_34_JAS Green		
139-140	CF_35_Pale Green		
141-142	CF_36_Spring Yellow		
143-144	CF_37_Yellow		
145-146	CF_38_Deep Amber		
147-148	CF_39_Chrome Orange		
149-150	CF_40_Orange		
151-152	CF_41_Magenta		
153-154	CF_42_Flame Red		
155-156	CF_43_Purple		
157-187	Rotate CW Fast Slow		
188-208	Rotate CCW Fast Slow		
209-229	Random Color Fast Slow		
230-255	Channel off		
12	Strobe speed	000-255	0.5 Hz to 30Hz
13	Strobe control	000-005	Open
		006-010	Closed
		011-015	Normal Strobe
		016-020	Random Strobe
		021-025	Random Sync
		026-255	Reserved Values



**TABLE 2. 16-BIT CHANNEL MODE**

CHANNEL	FUNCTION	VALUE	DESCRIPTION
14	Control channel	000-005	Idle(Default)
		006-010	Full Luminaire ReCal
		011-015	Reserved Values
		016-020	Reserved Values
		021-025	Fixture Shutdow
		026-030	Display - Menu ON
		031-035	Display - Menu OFF
		036-040	Dimming Curve Linear
		041-045	Dimming Curve S-Curve
		046-050	Dimming Curve Square Curve (Default)**
		051-055	Reserved Values
		056-060	Reserved Values
		061-065	Dimmer Snap On
		066-070	Dimmer Snap Off (Default)
		071-075	Reserved Values
		076-080	Reserved Values
		081-085	Standard Mode
		086-090	Studio Mode
		091-100	Whisper Mode
		101-110	Reserved Values
111-120	Fan On (Default)		
121-130	Fan Auto		
131-255	Reserved Values		

**TABLE 3. 8-BIT CHANNEL MODE**

CHANNEL	FUNCTION	VALUE	DESCRIPTION
1	Intensity	0-255	8-bit control of dimming
2	Red	0-255	8-bit control of color
3	Green	0-255	8-bit control of color
4	Blue	0-255	8-bit control of color
5	Amber	0-255	8-bit control of color
6	Color preset	000-068 069-070 071-072 073-074 075-076 077-078 079-080 081-082 083-084 085-086 087-088 089-090 091-092 093-094 095-096 097-098 099-100 101-102 103-104 105-106 107-108 109-110 111-112 113-114 115-116 117-118 119-120 121-122 123-124 125-126 127-128 129-130 131-132 133-134 135-136 137-138 139-140 141-142 143-144 145-146 147-148 149-150 151-152 153-154 155-156 157-187 188-208 209-229 230-255	Channel OFF CF_0_Color OFF CF_1_White 10000K CF_2_White 8000K CF_3_White 6500K CF_4_White 5600K CF_5_White 5000K CF_6_White 4500K CF_7_White 4000K CF_8_White 3200 CF_9_White 3000K CF_10_White 2700K CF_11_Moroccan Pink CF_12_Pink CF_13_Flesh Pink CF_14_Bright Rose CF_15_Follies Pink CF_16_Fuchsia Pink CF_17_Surprise Pink CF_18_Congo Blue CF_19_Blue CF_20_Virgin Blue CF_21_Midnight Maya CF_22_Dluble C.T Blue CF_23_Slate Blue CF_24_Regal Blue CF_25_Fullt C.T Blue CF_26_Steel Blue CF_27_Lighter Blue CF_28_Cyan CF_29_Marine Blue CF_30_Soft Green CF_31_Moss Green CF_32_Green CF_33_Fem Green CF_34_JAS Green CF_35_Pale Green CF_36_Spring Yellow CF_37_Yellow CF_38_Deep Amber CF_39_Chrome Orange CF_40_Orange CF_41_Magenta CF_42_Flame Red CF_43_Purple Rotate CW Fast Slow Rotate CCW Fast Slow Random Color Fast Slow Channel off
7	Strobe speed	000-255	0.5Hz to 30Hz
8	Strobe control	000-005 006-010 011-015 016-020 021-025 026-255	Open Closed Normal Strobe Random Strobe Random Sync Reserved Values

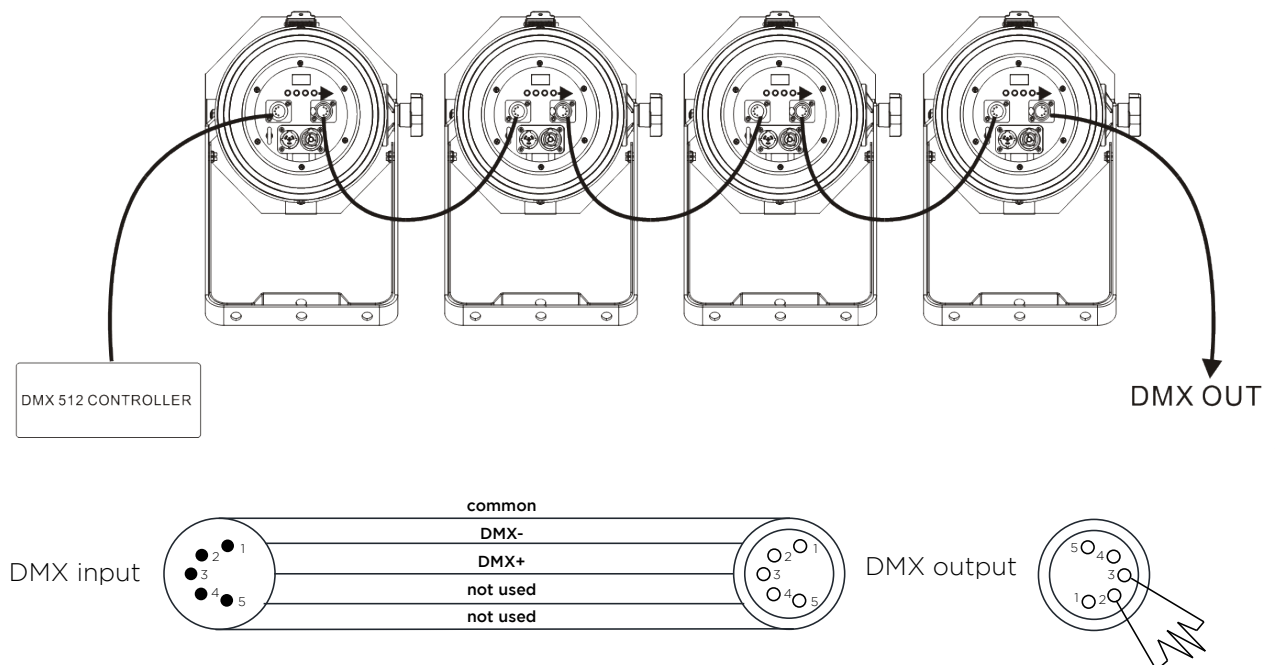
**TABLE 3. 8-BIT CHANNEL MODE**

CHANNEL	FUNCTION	VALUE	DESCRIPTION
9	Control channel	000-005	Idle(Default)
		006-010	Full Luminaire ReCal
		011-015	Reserved Values
		016-020	Reserved Values
		021-025	Fixture Shutdow
		026-030	Display - Menu ON
		031-035	Display - Menu OFF
		036-040	Dimming Curve Linear
		041-045	Dimming Curve S-Curve
		046-050	Dimming Curve Square Curve (Default)**
		051-055	Reserved Values
		056-060	Reserved Values
		061-065	Dimmer Snap On
		066-070	Dimmer Snap Off (Default)
		071-075	Reserved Values
		076-080	Reserved Values
		081-085	Standard Mode
		086-090	Studio Mode
		091-100	Studio Mode
		101-110	Whisper Mode
111-120	Reserved Values		
121-130	Fan On (Default)		
131-255	Fan Auto		
		Reserved Values	

**TABLE 4. 8-BIT COLOR MODE**

CHANNEL	FUNCTION	VALUE	DESCRIPTION
1	Red	0-255	8-bit control of color
2	Green	0-255	8-bit control of color
3	Blue	0-255	8-bit control of color
4	Amber	0-255	8-bit control of color

## DMX512 CONNECTION



- At last unit, the DMX cable has to be terminated with a terminator. Solder a 120Ω 1/4W resistor between pin 2(DMX-) and pin 3(DMX+) into a 5-pin XLR-plug and plug it in the DMX-output of the last unit.
- Connect the unit together in a `daisy chain` by XLR plug from the output of the unit to the input of the next unit. The cable can not be branched or split to a `Y` cable. DMX 512 is a very high-speed signal. Inadequate or damaged cables, soldered joints or corroded connectors can easily distort the signal and shut down the system.
- The DMX output and input connectors are pass-through to maintain the DMX circuit, when one of the units' power is disconnected.
- Each lighting unit needs to have an address set to receive the data sent by the controller. The address number is between 0-511 (usually 0 & 1 are equal to 1).
- The end of the DMX 512 system should be terminated to reduce signal errors.
- 5 pin XLR: Pin 1: GND, Pin 2: Negative signal (-), Pin 3: Positive signal (+), Pin 4/Pin 5: Not used.

## MAINTENANCE

---

### TROUBLESHOOTING

Following are a few common problems that may occur during operation.

**The unit does not work - light and fan do not turn on.**

- Check the connection of power and main fuse.
- Measure the mains voltage on the main connector.

**Not responding to DMX controller**

- DMX LED should be on. If not, check DMX connectors, cables to see if link properly.
- If the DMX LED is on and no response to the channel, check the address settings and DMX polarity.
- If you have intermittent DMX signal problems, check the pins on connectors or on PCB of the unit or the previous one.
- Try to use another DMX controller.
- Check if the DMX cables run near or run alongside to high voltage cables that may cause damage or interference to DMX interface circuit.

### CLEANING

The cleaning of internal must be carried out periodically to optimize light output. Cleaning frequency depends on the environment in which the fixture operates: damp, smoky or particularly dirty surrounding can cause greater accumulation of dirt on the fixture's optics.

- Clean with soft cloth using normal glass cleaning fluid.
- Always dry the parts carefully.
- Clean the external optics at least every 30 days.

## TECHNICAL SPECIFICATIONS

---

Refer to the product data sheet available for download on [www.vari-lite.com](http://www.vari-lite.com).

## IMPORTANT INFORMATION

### WARNINGS AND NOTICES

When using electrical equipment, basic safety precautions should always be followed including the following:

**READ AND FOLLOW ALL SAFETY INSTRUCTIONS.**

- For indoor, dry locations use only. Do not use outdoors.
- Do not mount near gas or electric heaters.
- Equipment should be mounted in locations and at heights where it will not readily be subjected to tampering by unauthorized personnel.
- The use of accessory equipment not recommended by the manufacturer may cause an unsafe condition.
- Not for residential use. Do not use this equipment for other than intended use.
- Refer service to qualified personnel.



**SAVE THESE INSTRUCTIONS.**




---

**WARNING:** You must have access to a main circuit breaker or other power disconnect device before installing any wiring. Be sure that power is disconnected by removing fuses or turning the main circuit breaker off before installation. Installing the device with power on may expose you to dangerous voltages and damage the device. A qualified electrician must perform this installation.

---




---

**WARNING:** Refer to National Electrical Code® and local codes for cable specifications. Failure to use proper cable can result in damage to equipment or danger to personnel.

---




---

**WARNING:** This equipment is intended for installation in accordance with the National Electric Code® and local regulations. It is also intended for installation in indoor applications only. Before any electrical work is performed, disconnect power at the circuit breaker or remove the fuse to avoid shock or damage to the control. It is recommended that a qualified electrician perform this installation.

---

### CUSTOMER SERVICE

If you have any questions regarding this product, please contact Customer Service at +1-214-647-7880 or via e-mail at [entertainment.service@signify](mailto:entertainment.service@signify).

### LIMITED 2-YEAR WARRANTY

Vari-Lite offers a two-year limited warranty on its control products against defects in materials or workmanship from the date of delivery. A copy of Vari-Lite two-year limited warranty containing specific terms and conditions can be obtained from the Vari-Lite website at [www.vari-lite.com](http://www.vari-lite.com) or by contacting your local Vari-Lite office.

# TECHNICAL SUPPORT

## GLOBAL 24HR TECHNICAL SUPPORT:

Call: +1 214 647 7880  
entertainment.service@signify.com

## NORTH AMERICA SUPPORT:

Call: 877-VARI-LITE (877-827-4583)  
entertainment.service@signify.com

## EUROPEAN CUSTOMER SERVICE CENTER:

Call: +31 (0) 543 542 531  
entertainment.europe@signify.com

©2022 Signify Holding. All rights reserved.

All trademarks are owned by Signify Holding or their respective owners. The information provided herein is subject to change, without notice. Signify does not give any representation or warranty as to the accuracy or completeness of the information included herein and shall not be liable for any action in reliance thereon. The information presented in this document is not intended as any commercial offer and does not form part of any quotation or contract, unless otherwise agreed by Signify. Data subject to change.

vls\_copyright

[WWW.VARI-LITE.COM](http://WWW.VARI-LITE.COM)

VL800 EVENTPAR RGBA User Manual

Document no.: 912400575001UM

Version date: September 15, 2022